

Fun 0DM & 0DA

Design by VERNER PANTON

Please read thoroughly before assembly

IMPORTANT!

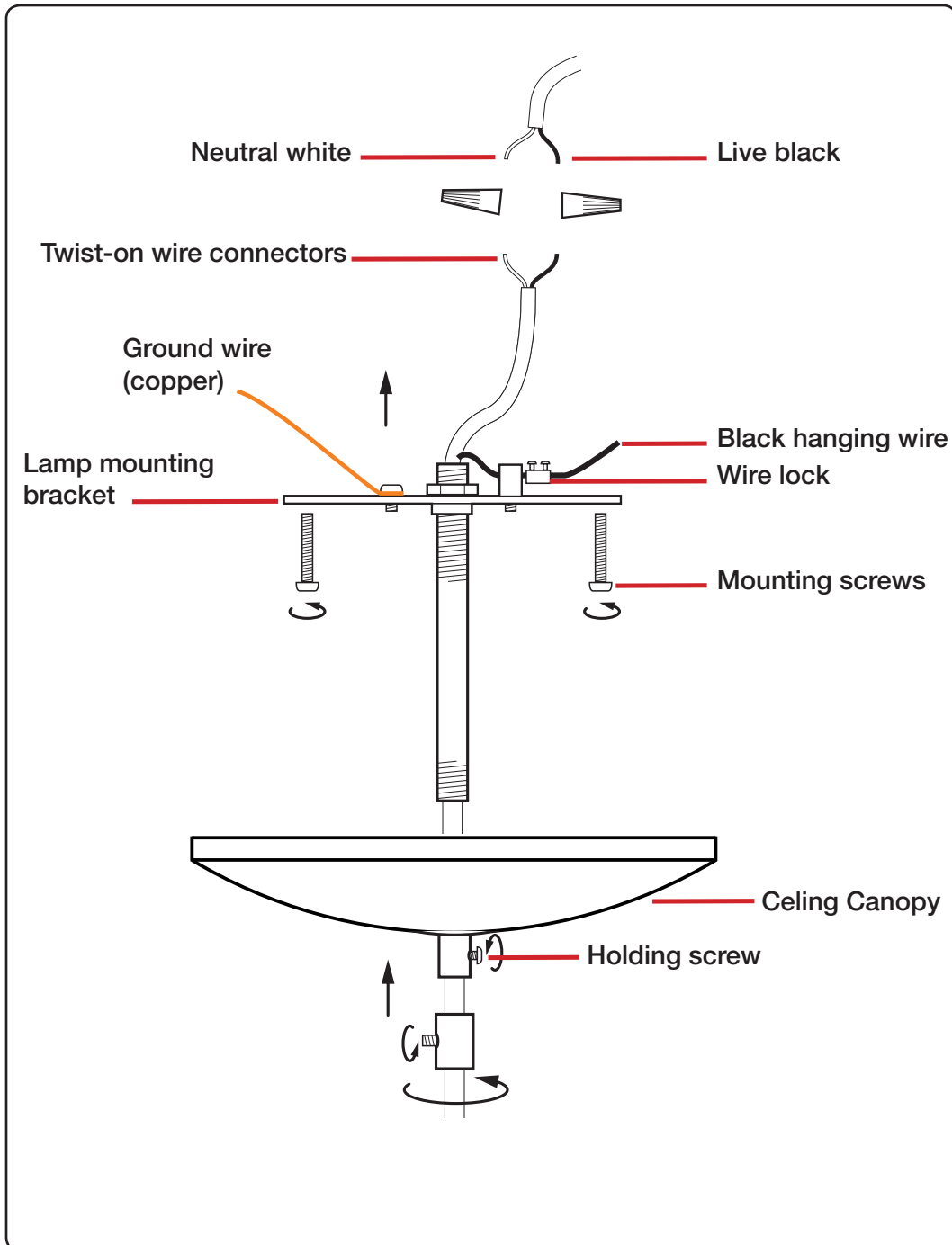
ALWAYS TURN OFF THE ELECTRICAL CURRENT BEFORE
INSTALLING ANY FIXTURE!

BE SURE THAT THE CEILING OUTLET BOX IS MOUNTED SO
THAT IT CAN CARRY THE WEIGHT OF THE ENTIRE LAMP!

THE LAMP MUST HANG FROM THE MOUNTING BRACKET
ATTACHED TO THE BLACK HANGING WIRE, NOT FROM THE
ELECTRIC WIRES!

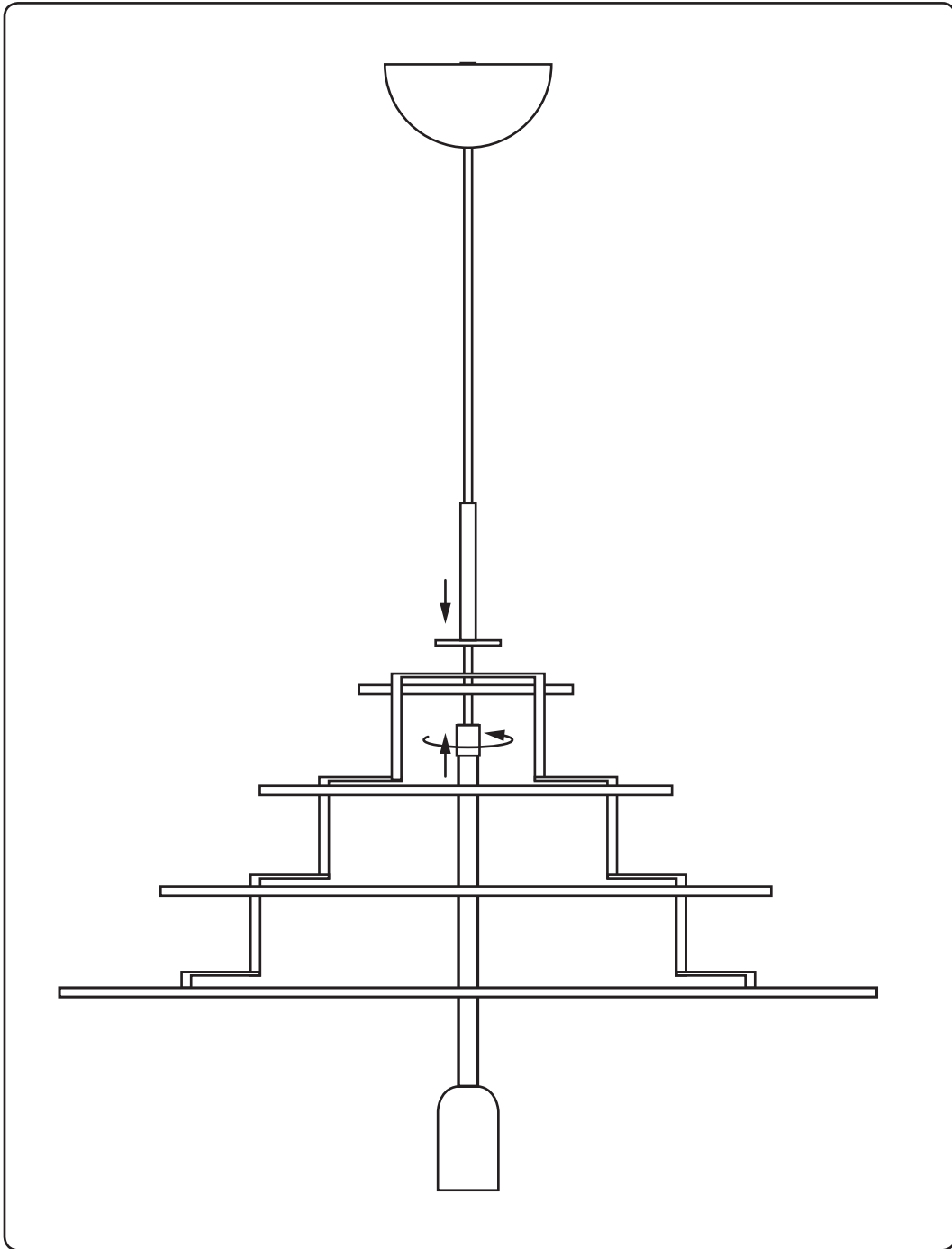
THERE MUST BE NO WEIGHT ON THE ELECTRIC WIRES!

IF THE EXTERNAL FLEXIBLE CABLE OR CORD OF THIS
LUMINAIRE IS DAMAGED, IT SHALL BE EXCLUSIVELY
REPLACED BY THE MANUFACTURER OR HIS SERVICE AGENT
OR A SIMILAR QUALIFIED PERSON IN ORDER TO AVOID A
HAZARD



HOW TO HANG THE LAMP FROM THE CEILING

1. DETERMINE THE DESIRED HEIGHT OF THE HANGING LAMP. THEN SECURE THE BLACK HANGING WIRE TIGHTLY TO THE WIRE LOCK ON THE MOUNTING BRACKET.
2. FASTEN THE LAMP'S ELECTRIC WIRES TO THE POWER SOURCE WIRES WITH TWIST-ON CONNECTORS. FASTEN THE COPPER GROUND WIRE.
3. SCREW THE LAMP MOUNTING BRACKET ONTO THE CEILING OUTLET BOX WITH MOUNTING SCREWS
4. SLIDE THE CANOPY TO THE CEILING AND TIGHTEN HOLDING SCREWS.

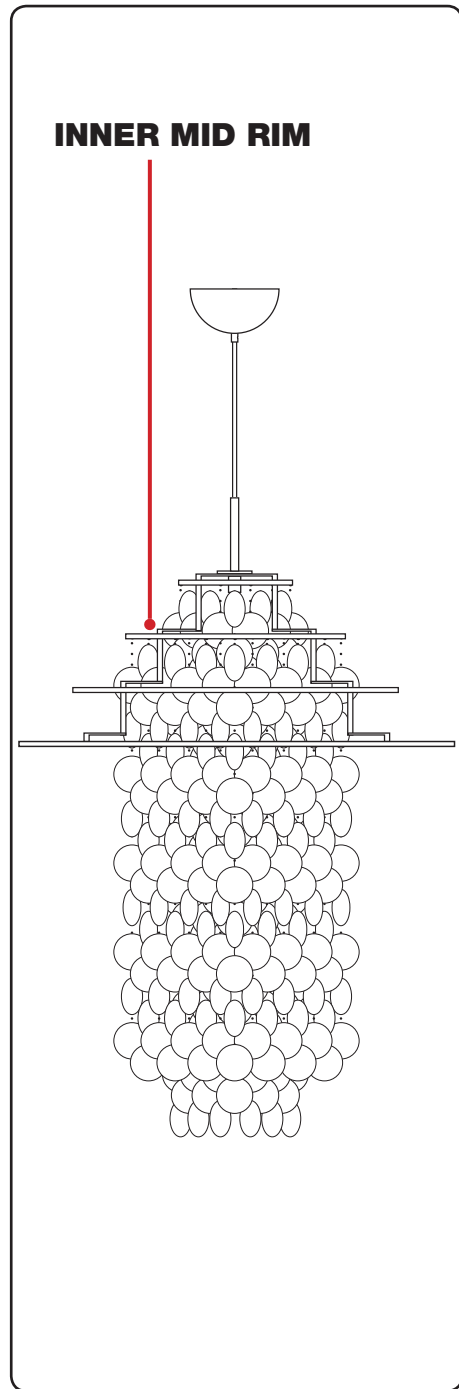
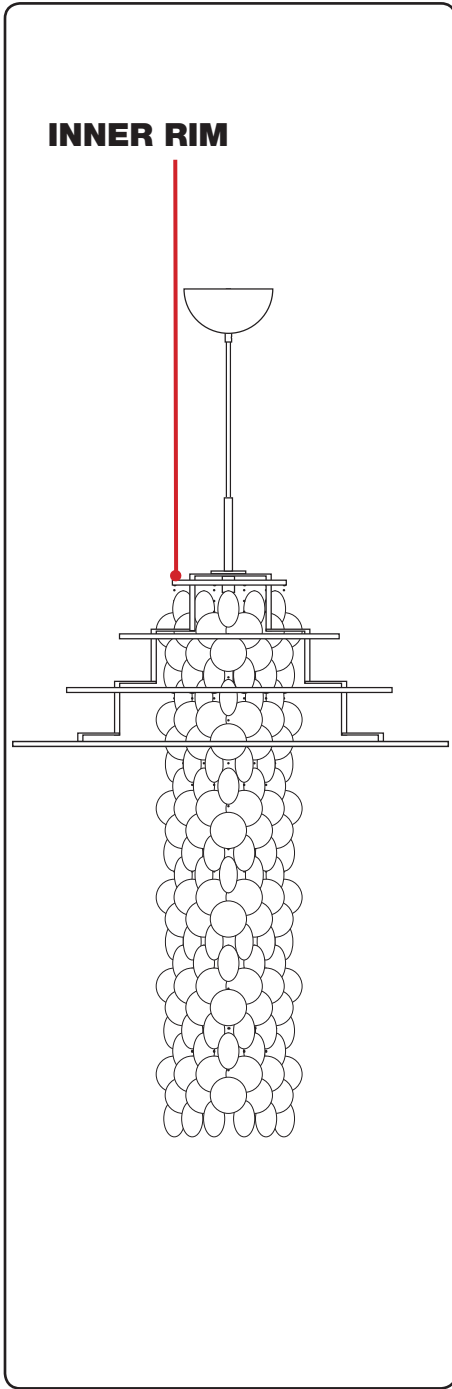


MOUNTING THE METAL FRAME

After you have mounted the ceiling canopy to the ceiling please mount the metal frame together with the cord (incl. socket).

Screw the metal tubes firmly together!

Now you are ready to hang the plates at the metal frame.



INNER RIM

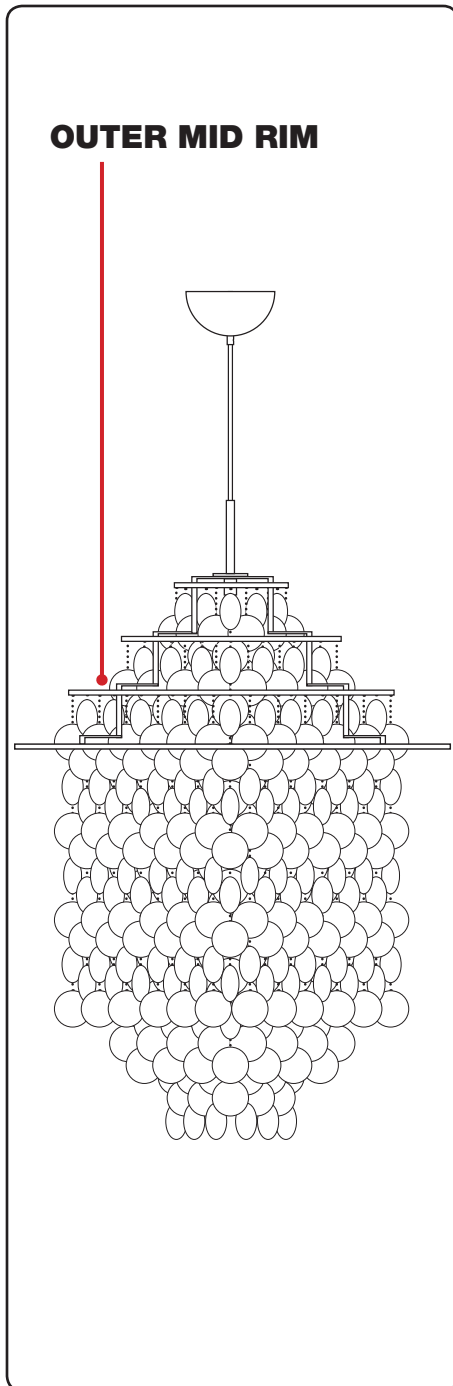
Mount plates from box with 12 pcs. Box is marked "INNER RIM".

Please note:
The chains in the box are not the same length, so it is important that you alternate between the two lengths.

INNER MID RIM

Mount plates from box with 9-10 pcs. Box is marked "INNER MID RIM".

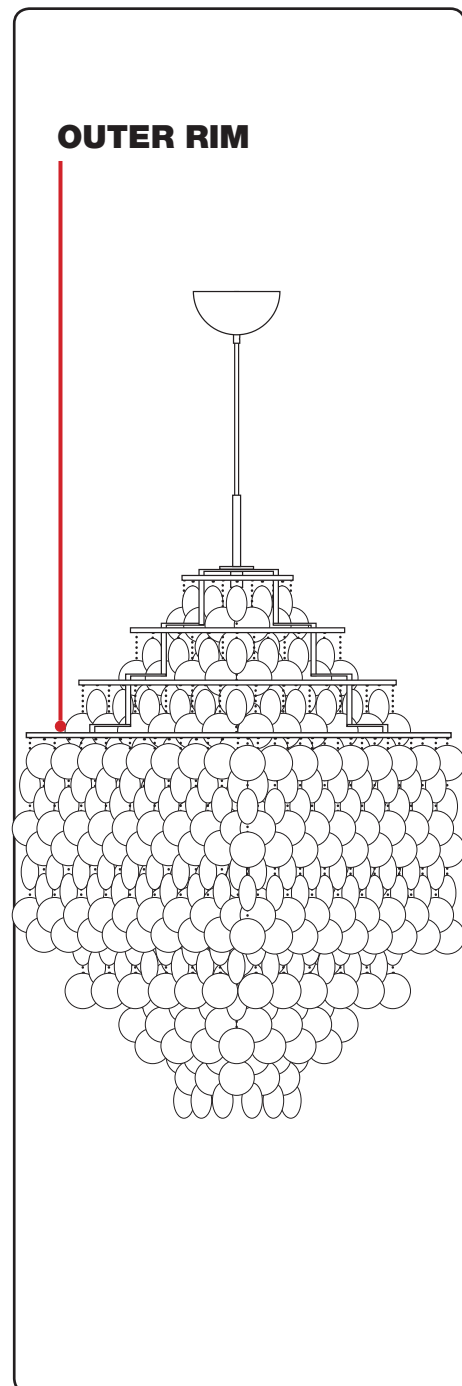
Please note:
The chains in the box are not the same length, so it is important that you alternate between the two lengths.



OUTER MID RIM

Mount plates from box with 7 pcs. Box is marked "OUTER MID RIM".

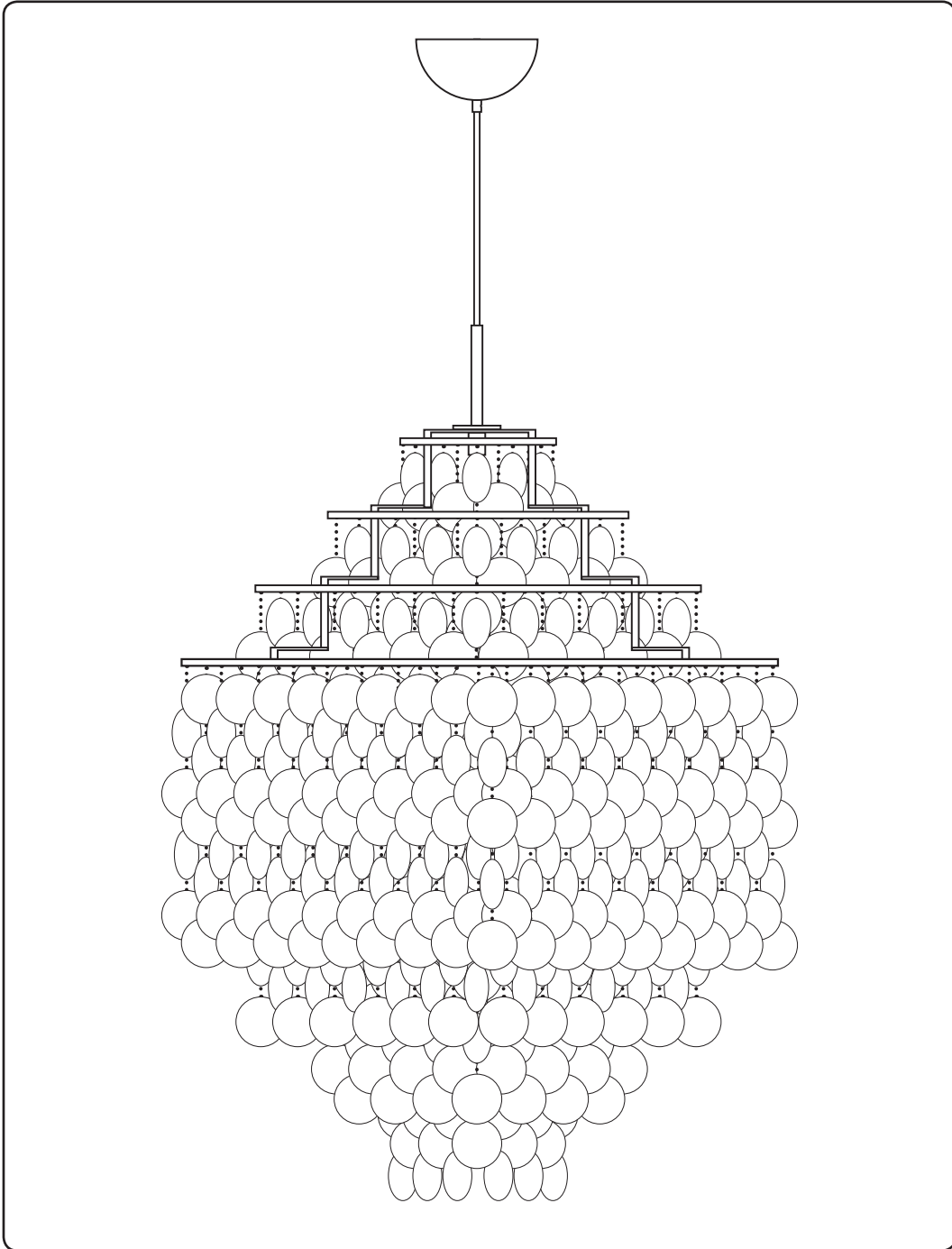
Please note:
The chains in the box are not the same length, so it is important that you alternate between the two lengths.



OUTER RIM

Mount plates from box with 4-5 pcs. Box is marked "OUTER RIM".

Please note:
The chains in the box are not the same length, so it is important that you alternate between the two lengths.

**HOW TO CLEAN:**

Clean with a soft cloth, warm water and a mild detergent.
Do NOT use any abrasive materials.

DESIGNED
IN THE PAST
MADE FOR
TOMORROW

VERPAN ApS
Egeskovvej 29
8700 Horsens
Denmark

www.verpan.com

info@verpan.com